

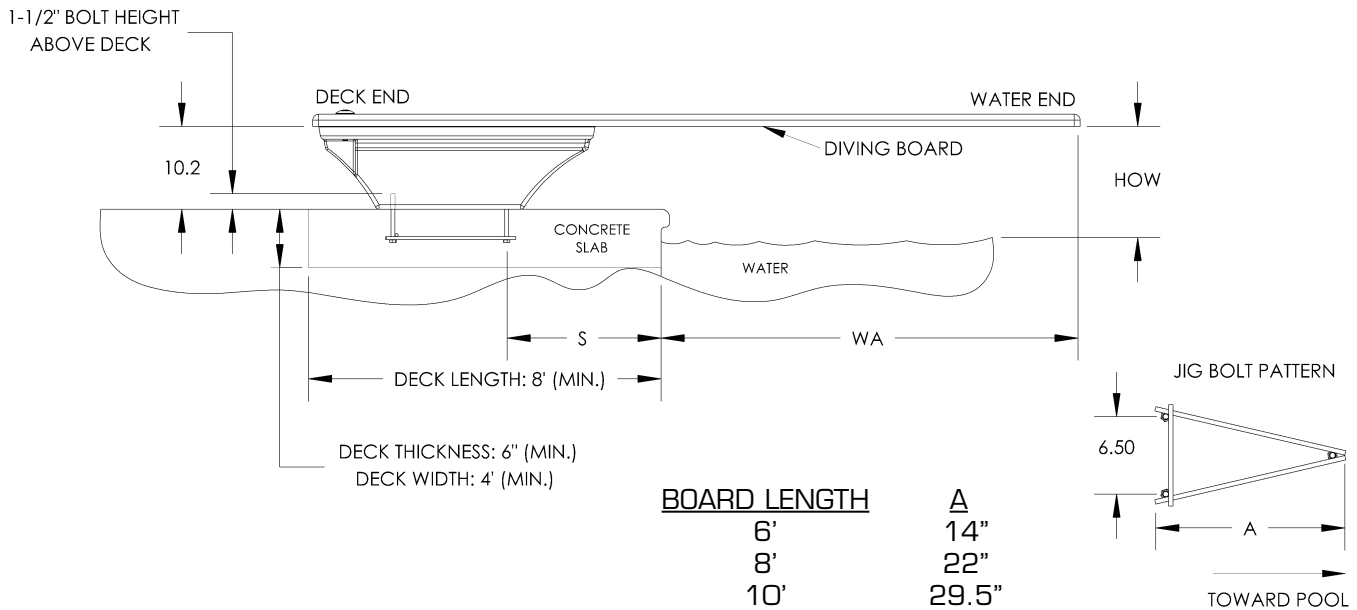
LA MESA BASE:



FEATURES:

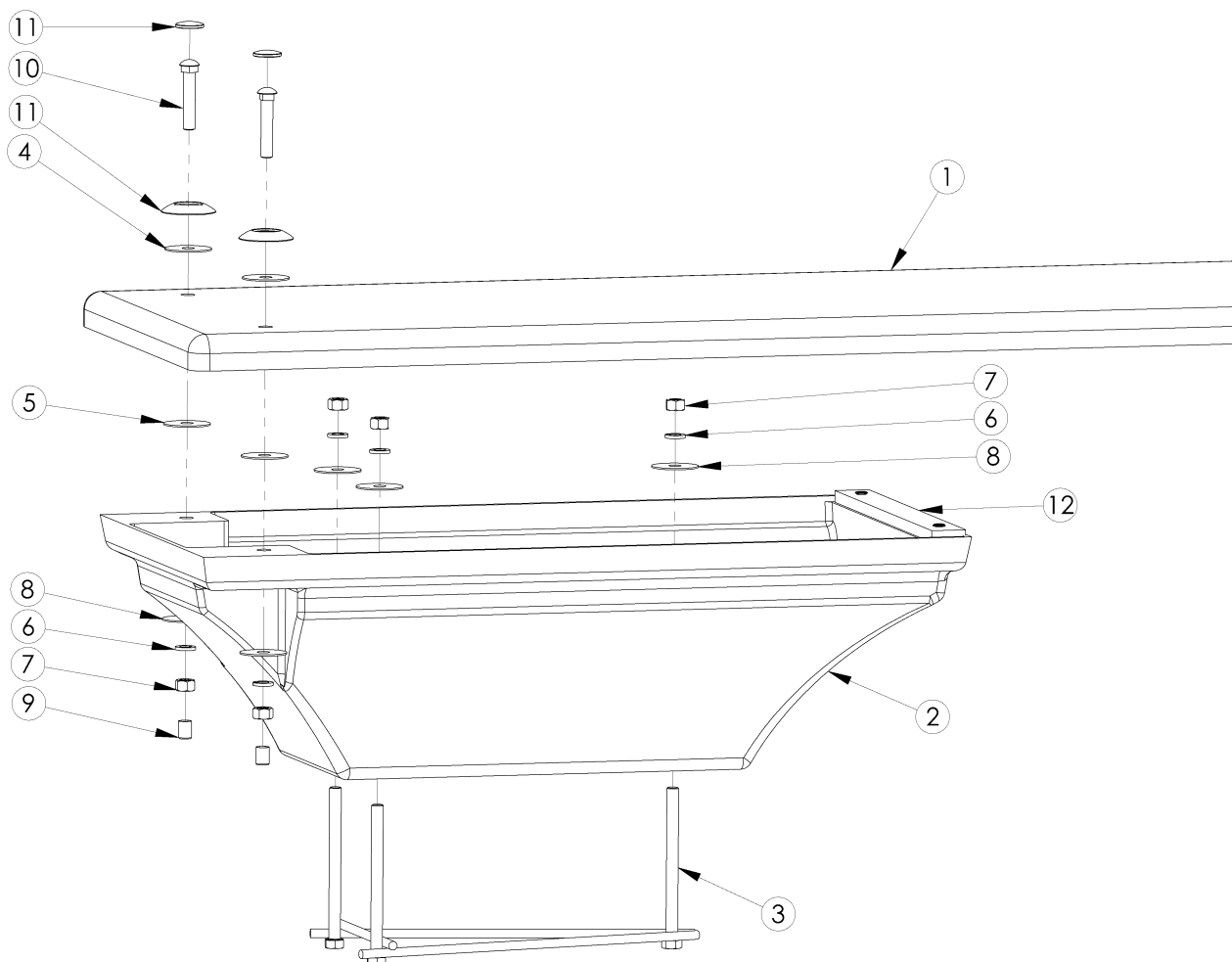
- Passive Base - Spring Feature is Derived from Board
- Durable & Long Lasting Acrylic & Fiberglass Construction
- Available for Use With 6', 8', & 10' Length Boards
- 2 Hole Drill Pattern 12" on center
- Refer to Board Chart on Pg. 7
- Refer to Available Base Colors on Pg. 7

Part # LAM6 (La Mesa base, 6' jig & hardware)
 Part # LAM8 (La Mesa base, 8' jig & hardware)
 Part # LAM10 (La Mesa base, 10' jig & hardware)



IMPORTANT: THESE DIMENSIONS ARE ACCURATE ONLY FOR VERTICAL POOL WALLS, TYPICALLY GUNITE CONSTRUCTION , WITH LESS THAN A 3' RADIUS TO THE POOL FLOOR. DUE TO THE VARYING SIZES OF OTHER POOLS, TYPICALLY VINYL LINER CONSTRUCTION , PLEASE CONTACT CUSTOMER SERVICE FOR PROPER JIG PLACEMENT. 1-800-737-5386	LA MESA PART #	NOMINAL BOARD LENGTH	ANSI/NSPI-5 POOL TYPE	DISTANCE FROM WATER'S EDGE TO FORWARD JIG BOLT (S)	DISTANCE FROM END OF BOARD TO FORWARD JIG BOLT	MIN. OVERHANG PLUS OR MINUS 3" (WA)	MAX HEIGHT OF BOARD ABOVE WATER (HOW)
	LAM6	6'	I	27.5"	45.5"	18"	20"
LAM6	6'	II	27.5"	45.5"	18"	20"	
LAM6	6'	III	21.5"	45.5"	24"	26"	
LAM6	6'	IV	15.5"	45.5"	30"	30"	
LAM6	6'	V	9.5"	45.5"	36"	40"	
LAM8	8'	I	Cannot Put 8' diving board on a type I pool				
LAM8	8'	II	41.25"	59.25"	18"	20"	
LAM8	8'	III	35.25"	59.25"	24"	26"	
LAM8	8'	IV	29.25"	59.25"	30"	30"	
LAM8	8'	V	23.25"	59.25"	36"	40"	
LAM10	10'	I	Cannot Put 10' diving board on a type I pool				
LAM10	10'	II	Cannot Put 10' diving board on a type II pool				
LAM10	10'	III	51.5"	75.5"	24"	26"	
LAM10	10'	IV	45.5"	75.5"	30"	30"	
LAM10	10'	V	39.5"	75.5"	36"	40"	

LA MESA BASE (LAM6):



DRAWING REPRESENTS THE FOLLOWING PART NUMBERS:

LAM6 (shown)
LAM8
LAM10

ITEM #	COMPONENT	DESCRIPTION	KITS - QTY. COUNTS		
			DB-M	LM-BK	N/A
1	DB6WW	6' Duro-Beam White w/White Top Tread & Hdw Kit			1
2	LAM6	6' La Mesa Fiberglass Diving Base			1
3	LM-J6	6' La Mesa/Los Arcos Mounting Jig			1
4	H-1/2 BLK WASH	1/2 x 2" Black Rubber Washer	2		
5	H-1/2 RED WASH	1/2 x 2" Red Rubber Washer	2		
6	H-1/2 Z LOC WAS	1/2 Lock Washer Zinc	2	3	
7	H-1/2 Z NUT	1/2"- 13 Hex Finish Nut Zinc	2	3	
8	H-1/2 Z WASH	1/2 USS Flat Washer Zinc	2	3	
9	H-1-1/2 WHT CAP	.750 x 1-1/2 White UV Nut Cap	2		
10	H-5 Z BOLT	1/2-13 x 5 Carriage Bolt Zinc	2		
11	H-WHT WAS/CAP	I.F. White Washer/Cap	2		
12	LM-FP	La Mesa/Los Arcos Rubber Fulcrum Pad			1

NOTES:

DB6WW diving board shown in exploded view for illustration purposes. Must be purchased separately. Other diving board options available.